

- 1) STAMPA SU FOGLIO A4
- 2) SOVRAPPONI LA BARRA ALLE FIGURE E IDENTIFICA L'ATTACCO
- 3) ACQUISTA LA TUA NUOVA BARRA OREGON SU www.ricambix.com

A041

INTENZ® T041

APPLICAZIONI OEM :

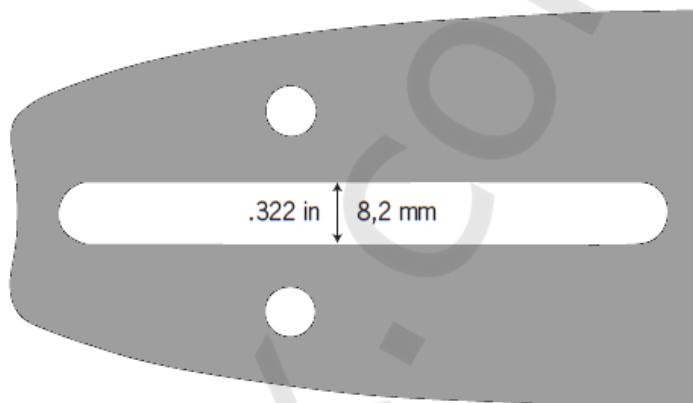
Alpina, Bosch, Castor, Cub Cadet®, Dolmar, Echo®, Efcó®, Einhell®, Homelite®, Husqvarna®, Ikra, Jonsered®, Makita®, McCulloch®, Oleo-Mac®, Partner, Poulan®/Poulan Pro®, Ryobi®, Shindaiwa, Skil®, Tanaka®, Zenoah, and others

INTENZ® mount

A041

T041

- Supporto Carlton® – 10
- Supporto Windsor® – PKU



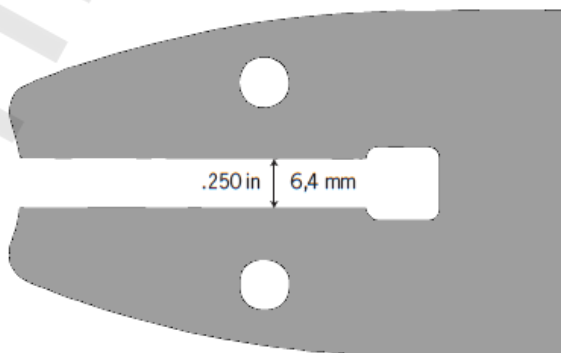
A061

APPLICAZIONI OEM :

Homelite®, Sabre

A061

- Supporto Carlton® – 28
- Supporto Windsor® – MXL



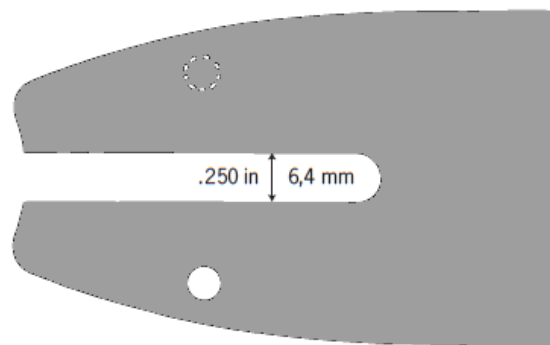
A064

APPLICAZIONI OEM :

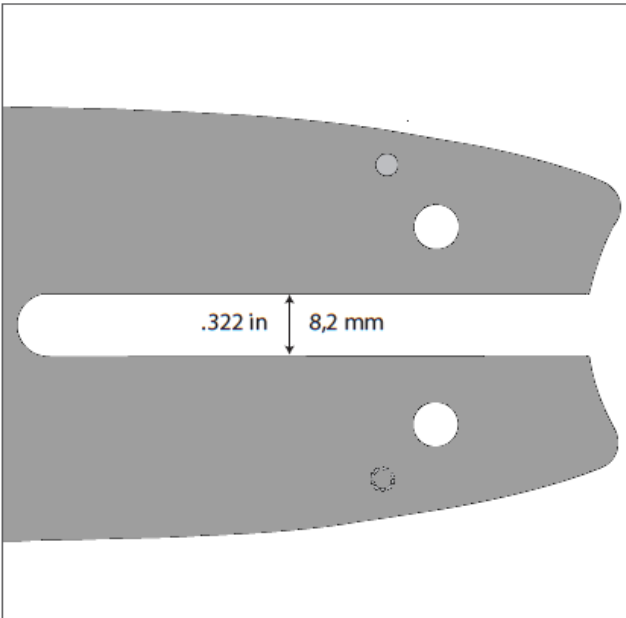
Einhell®, Husqvarna®, Jonsered®, Skil

A064

- Supporto Carlton® – 52
- Supporto Windsor® – FJ



- 1) STAMPA SU FOGLIO A4
- 2) SOVRAPPONI LA BARRA ALLE FIGURE E IDENTIFICA L'ATTACCO
- 3) ACQUISTA LA TUA NUOVA BARRA OREGON SU www.ricambiX.com



The diagram shows a grey cutting bar with a white mounting slot. The slot is labeled with dimensions: $.322 \text{ in}$ and $8,2 \text{ mm}$. There are two circular holes on each side of the bar. A small circular logo is visible on the bottom edge.

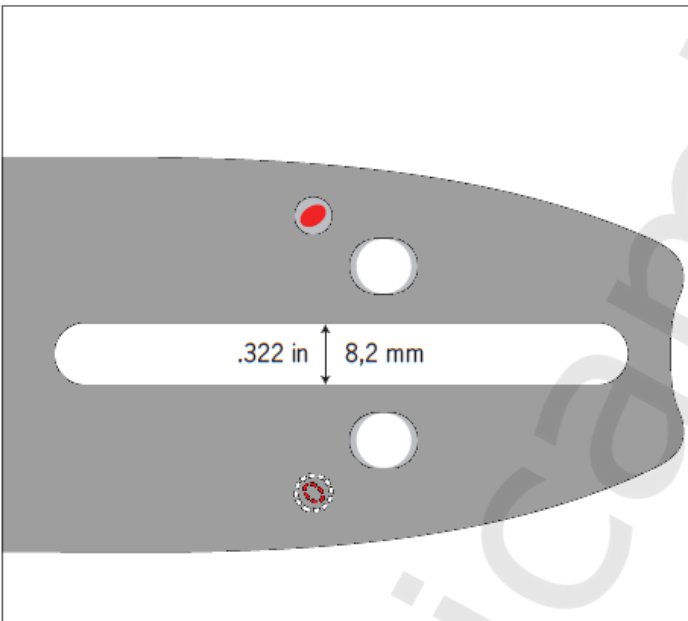
A074
T074

APPLICAZIONI OEM :
Alpina, Castor, Metabo®, Stihl®, Oleo-Mac®

INTENZ® mount

- Supporto Carlton® – 26
- Supporto Windsor® – ST

A074
T074



The diagram shows a grey cutting bar with a white mounting slot. The slot is labeled with dimensions: $.322 \text{ in}$ and $8,2 \text{ mm}$. There are two circular holes on each side of the bar. A red dot is located above the top hole, and a circular logo is located below the bottom hole.

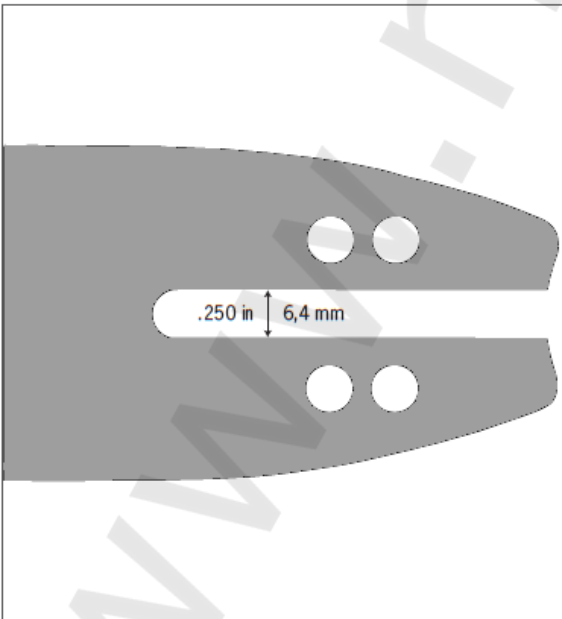
A095
T095

APPLICAZIONI OEM :
Alko, Alpina, Castor, Cub Cadet®, Dolmar, Homelite®, Husqvarna®, Jonsered®, Makita®, McCulloch®, Oleo-Mac®, Partner, Pioneer, Poulan®/Poulan Pro®, Shindaiwa, Solo®, Zenoah®, and others

INTENZ® mount

- Supporto Carlton® – 01
- Supporto Windsor® – CJL

A095
T095



The diagram shows a grey cutting bar with a white mounting slot. The slot is labeled with dimensions: $.250 \text{ in}$ and $6,4 \text{ mm}$. There are two circular holes on each side of the bar.

A218
T218

APPLICAZIONI OEM :
Alko, Black and Decker®, McCulloch®, Power Pruner®/Echo® Power Pruner®, Polesaws, Ryobi®, Shindaiwa, Stiga®

INTENZ® mount

- Supporto Carlton® – 29

A218
T218

- 1) STAMPA SU FOGLIO A4
- 2) SOVRAPPONI LA BARRA ALLE FIGURE E IDENTIFICA L'ATTACCO
- 3) ACQUISTA LA TUA NUOVA BARRA OREGON SU www.ricambiX.com

A318

INTENZ
T318

APPLICAZIONI OEM :

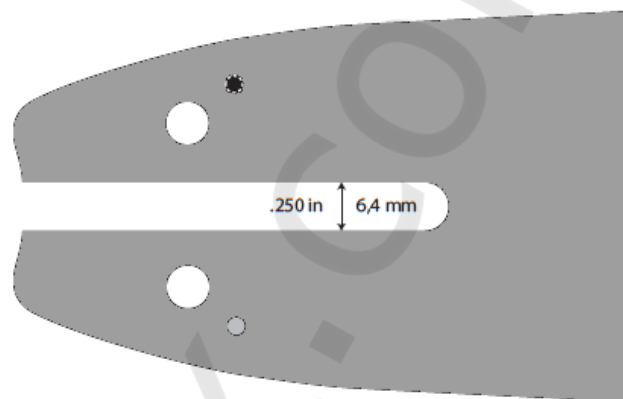
Alko, Black and Decker®, McCulloch®, Ryobi®, Shindaiwa, Stiga®

A318

INTENZ® mount

T318

- Supporto Carlton® – 38
- Supporto Windsor® – MC



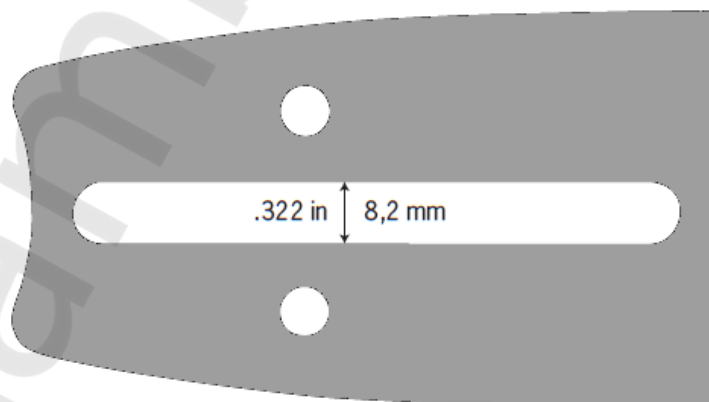
K041

APPLICAZIONI OEM :

AEG, Alpina, Dolmar, Homelite®, Husqvarna®, Jonsered®, Makita®, Oleo-Mac®, Partner, Poulan®/Poulan Pro®, Ryobi®, Shindaiwa, Skil, Tanaka®, Zenoah®, and others

K041

- Supporto Carlton® – 10W
- Supporto Windsor® – PKU



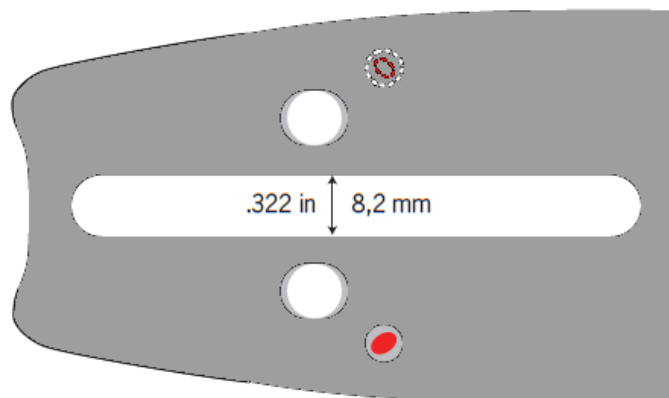
K095

APPLICAZIONI OEM :

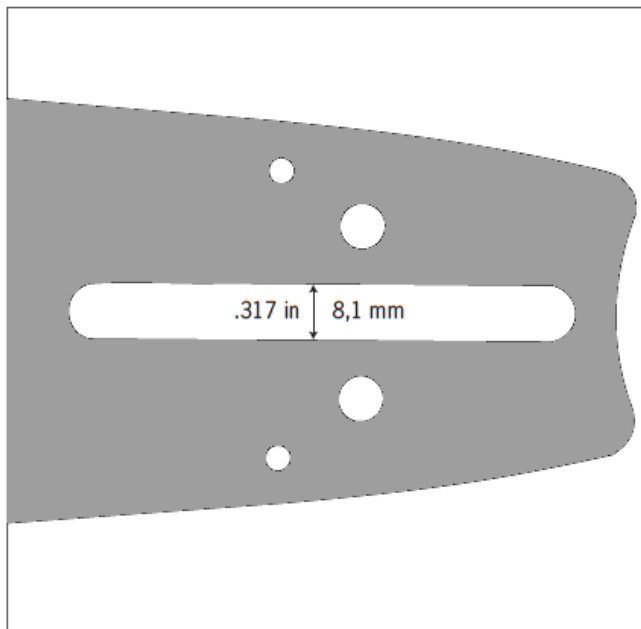
Alko, Alpina, Castor, Dolmar, Homelite®, Husqvarna®, Jonsered®, Makita®, McCulloch®, Oleo-Mac®, Partner, Shindaiwa, Solo®, Zenoah®, and others

K095

- Supporto Carlton® – 01W
- Supporto Windsor® – CJL



- 1) STAMPA SU FOGLIO A4
- 2) SOVRAPPONI LA BARRA ALLE FIGURE E IDENTIFICA L'ATTACCO
- 3) ACQUISTA LA TUA NUOVA BARRA OREGON SU www.ricambix.com

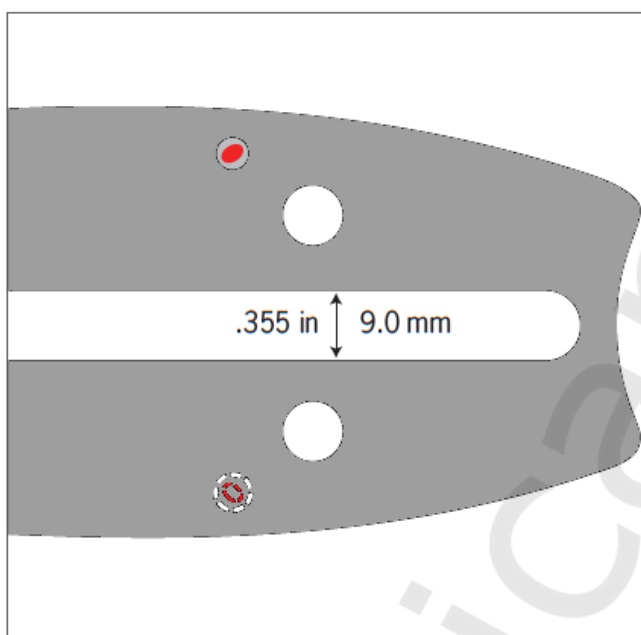


K153

APPLICAZIONI OEM :
Dolmar

K153

- Supporto Carlton® – 53

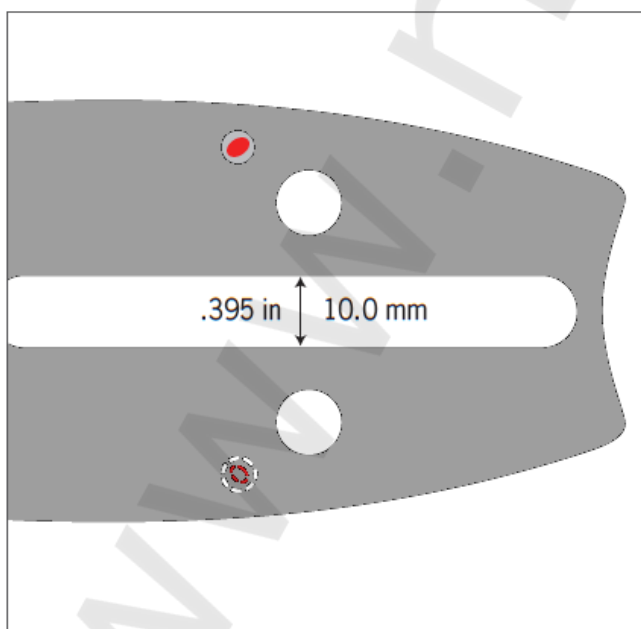


D009

APPLICAZIONI OEM :
Alpina, Castor, Dolmar, Husqvarna®, Jonsered®, Makita®, Partner, Shindaiwa, Solo®

D009

- Supporto Carlton® – 81
- Supporto Windsor® – EM



D024

Applicazioni OEM :
Efco®, Jonsered®, Oleo-Mac®

D024

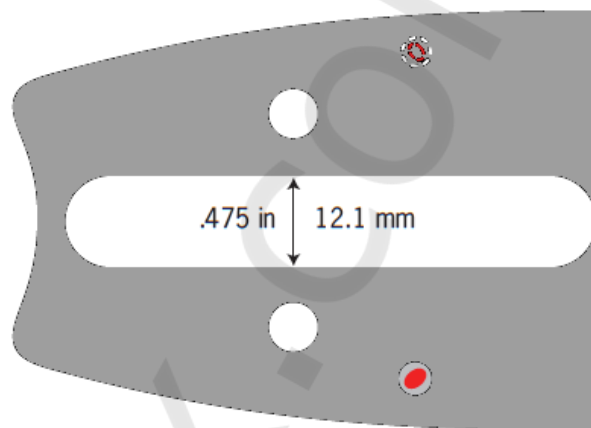
- Supporto Carlton® – 71
- Supporto Windsor® – JR

D025

APPLICAZIONI OEM :
Stihl®

D025

- Supporto Carlton® – 42
- Supporto Windsor® – 40

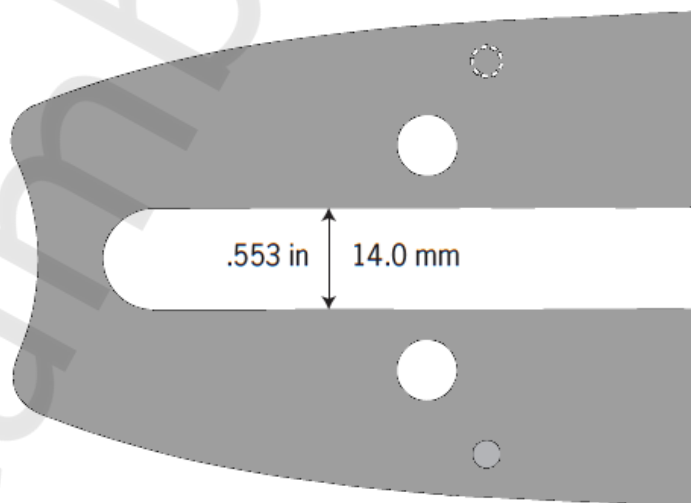


D033

APPLICAZIONI OEM :
Dolmar, Makita®, Poulan®

D033

- Supporto Carlton® – 42
- Supporto Windsor® – 40

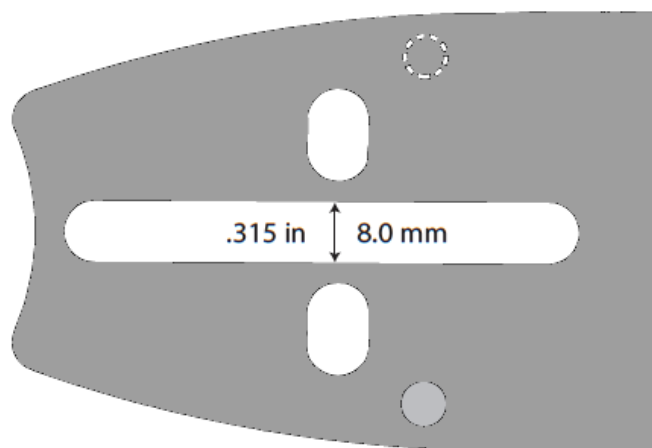


D176

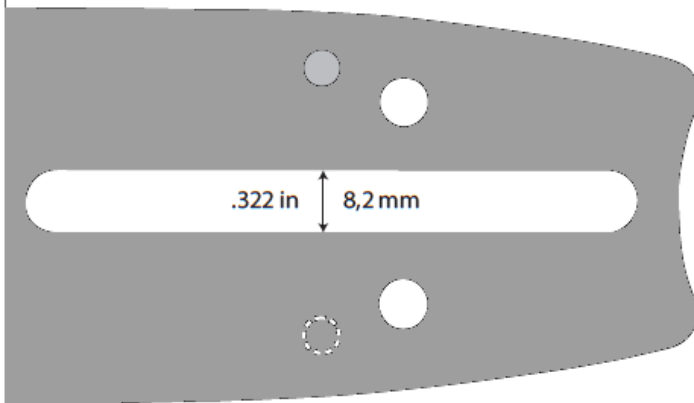
APPLICAZIONI OEM :
Alko, Echo®, Poulan®/Poulan Pro®, Tanaka®, Zenoah®

D176

- Supporto Carlton® – 41
- Supporto Windsor® – UXL



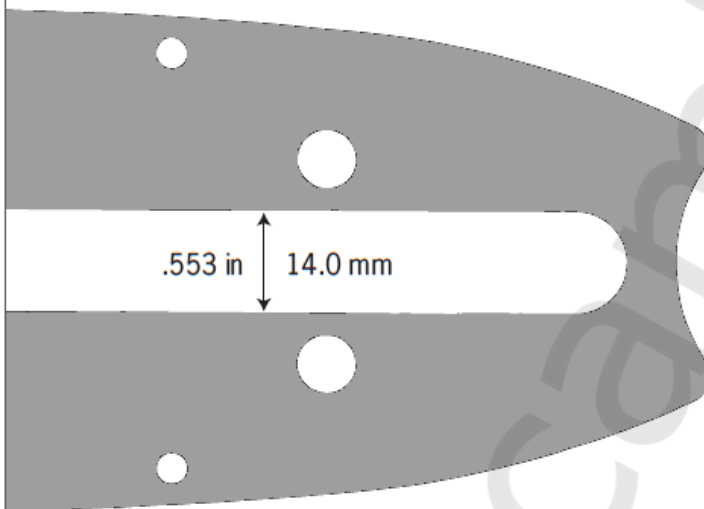
- 1) STAMPA SU FOGLIO A4
- 2) SOVRAPPONI LA BARRA ALLE FIGURE E IDENTIFICA L'ATTACCO
- 3) ACQUISTA LA TUA NUOVA BARRA OREGON SU www.ricambiX.com

D196

APPLICAZIONI OEM :
Echo, Homelite®

D196

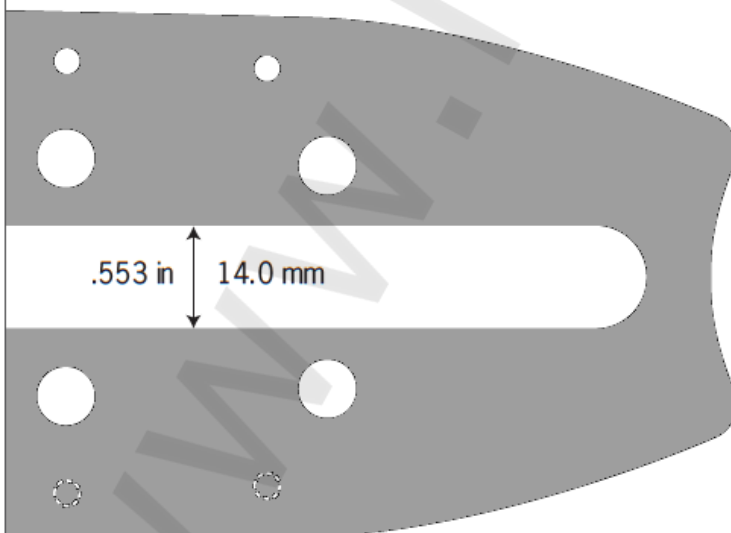
- Supporto Carlton® – 21
- Supporto Windsor® – HL

E031

APPLICAZIONI OEM :
Hydrochief, Oleo-Mac®, Stihl®

E031

- Supporto Carlton® – 55
- Supporto Windsor® – 07

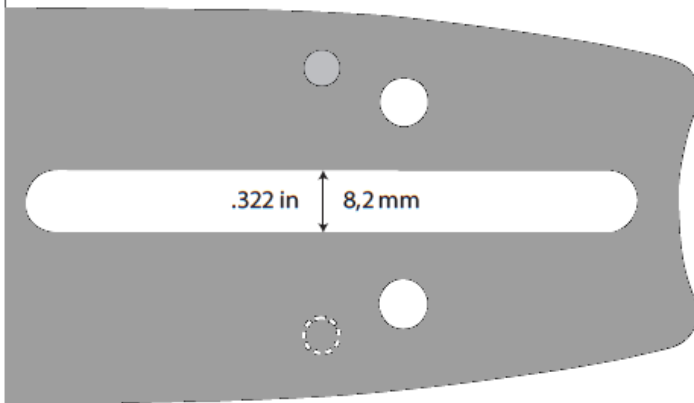
E099

APPLICAZIONI OEM :
Echo®, Hydrochief, Stihl®

E099

- Supporto Carlton® – 57 and 07
- Supporto Windsor® – WZ

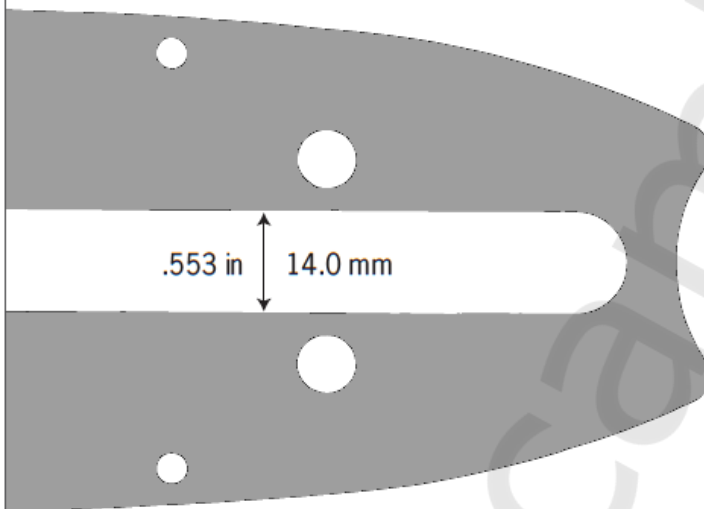
- 1) STAMPA SU FOGLIO A4
- 2) SOVRAPPONI LA BARRA ALLE FIGURE E IDENTIFICA L'ATTACCO
- 3) ACQUISTA LA TUA NUOVA BARRA OREGON SU www.ricambiX.com

D196

APPLICAZIONI OEM :
Echo, Homelite®

D196

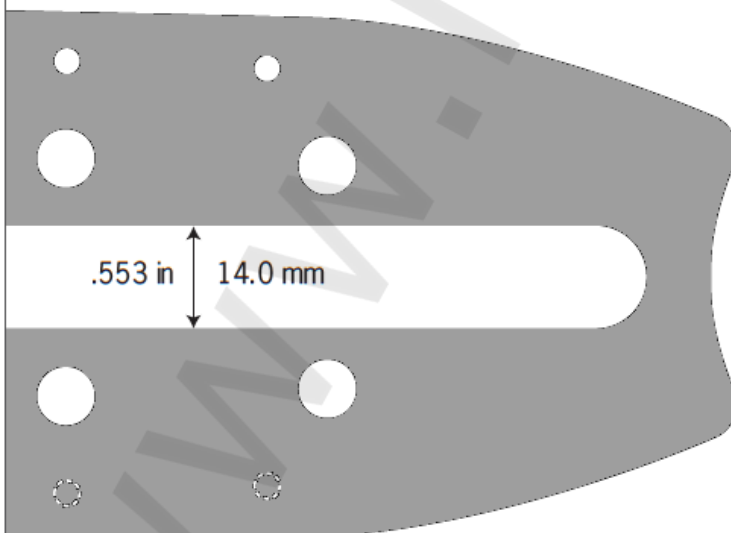
- Supporto Carlton® – 21
- Supporto Windsor® – HL

E031

APPLICAZIONI OEM :
Hydrochief, Oleo-Mac®, Stihl®

E031

- Supporto Carlton® – 55
- Supporto Windsor® – 07

E099

APPLICAZIONI OEM :
Echo®, Hydrochief, Stihl®

E099

- Supporto Carlton® – 57 and 07
- Supporto Windsor® – WZ